



# VMX-agility™

VMX-AGY-020, VMX-AGY-021 POWER SUPPLY UNIT

MAN-AGY-017-V05

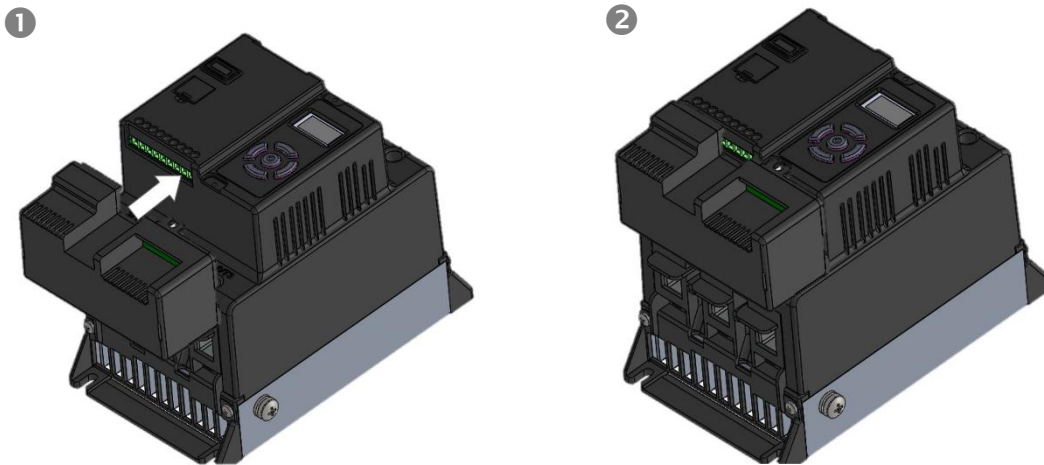
## Power Supply (VMX-AGY-020/VMX-AGY-021)

VMX-AGY-020/VMX-AGY-021 is a dedicated mains power supply for the VMX-agility soft start. In addition to allowing for mains control voltage operation, the power supply also allows for mains voltage digital control (D1/D2).

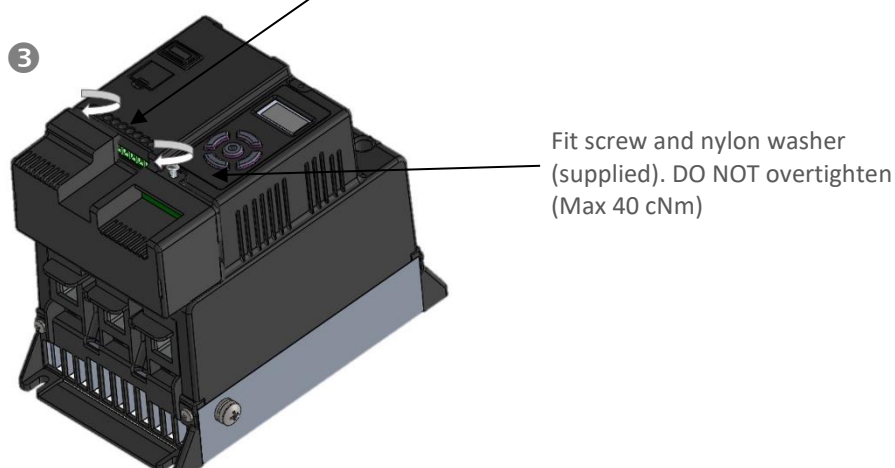
Refer also to VMX-agility Quick Start Guide MAN-AGY-014 for use with appropriate VMX-agility model.

### Fitting

Ensure terminals 24V, 0V, COM, D1 and D2 are fully open before installing power supply as shown below:

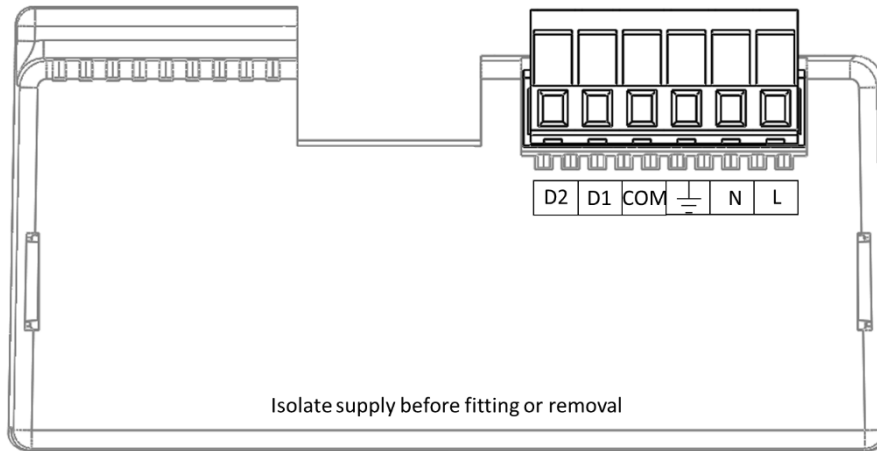


Tighten terminals 24V, 0V, COM, D1 and D2

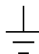


When the VMX-AGY-020/VMX-AGY-021 installation is complete, control supply, D1 and D2 are provided on the power supply rather than the agility main unit

## Connections



## Control Terminal Functions

Terminal	Description	Default	Function Selectable	Note
L	Control Supply Live (+Us)	-	No	#1
N	Control Supply Neutral -(Us)	-	No	
	Mains supply Earth	-	No	
COM	Digital Inputs Common	-	No	
D1	Digital Input 1	-	Yes	#2
D2	Digital Input 2	-	Yes	#2
13/14	Main Contactor Control (Run Relay)	-	Yes	#3
21/22	Fault Relay	-	Yes	#3

#1 110Vac or 230Vac, 47 – 63Hz (Protect with UL248 listed fuse rated maximum 4A)

#2 The voltage applied to the digital inputs D1 and D2 must be the same as the supply voltage

#3 250Vac, 2A, Cos $\phi$  =0.5

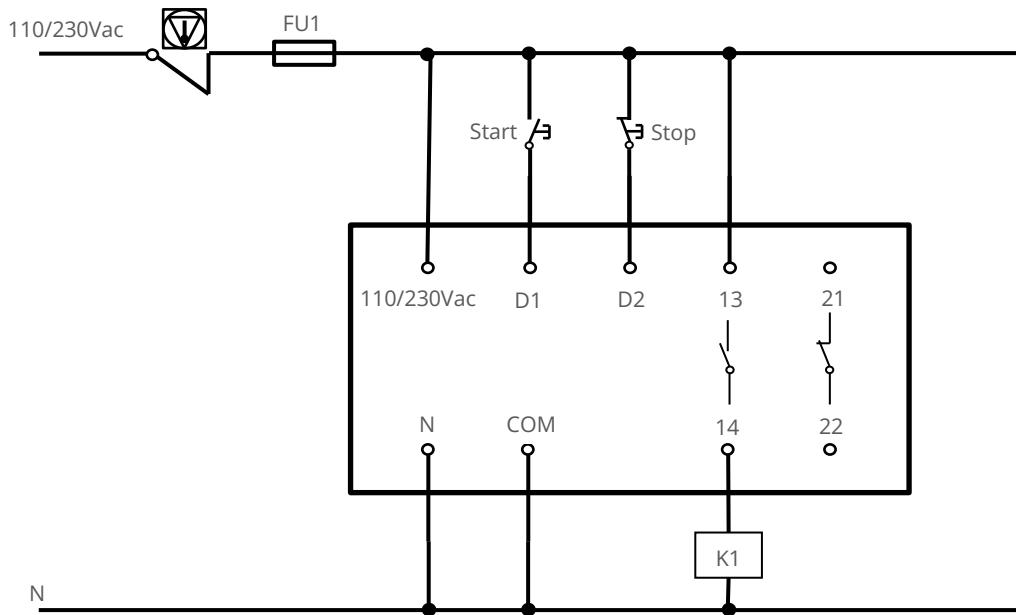
## Wiring specifications

Terminal	Wire Size		Torque	
	Metric	Imperial	Nm	lb-in
Control Terminals Cu STR 75°C only	0.2–1.5mm <sup>2</sup>	24-16AWG	0.7	6.2

## Ambient Operating Temperature

-20°C (-4°F) to 60°C (140°F).

### 3-Wire Control Using VMX-AGY-020/VMX-AGY-021



### 2-Wire Control Using VMX-AGY-020/VMX-AGY-021

